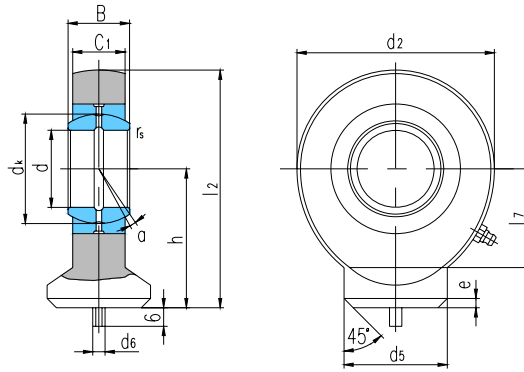


# Rod ends

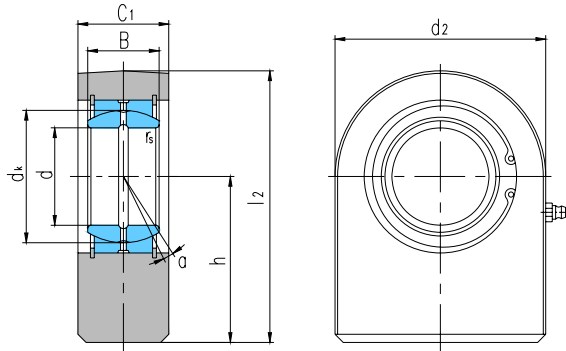


Sliding contact surfaces: Steel / Steel

Bearing number	Dimensions mm													Load ratings kN		Weight ≈kg
	d	B	dk	C <sub>1</sub>	d <sub>2</sub>	h	l <sub>2</sub>	l <sub>7</sub>	d <sub>5</sub>	d <sub>6</sub>	e	r <sub>s</sub>	α° ≈	Dynamic	Static	
SK10E <sup>1)</sup>	10	9	16	7	29	24	38.5	15	15	3	2	0.3	12	8.1	15	0.041
SK12E <sup>1)</sup>	12	10	18	8	34	27	44	17.5	17.5	3	2	0.3	10	10	21	0.066
SK15ES <sup>2)</sup>	15	12	22	10	40	31	51	20	21	4	2.5	0.3	8	16	32	0.12
SK16ES <sup>2)</sup>	16	14	25	11	46	35	58	23	24	4	3	0.3	10	21	40	0.19
SK17ES <sup>2)</sup>	17	14	25	11	46	35	58	23	24	4	3	0.3	10	21	40	0.18
SK20ES	20	16	29	13	53	38	64.5	27.5	27.5	4	3	0.3	9	30	54	0.26
SK25ES	25	20	35.5	17	64	45	77	33	33.5	4	4	0.6	7	48	72	0.45
SK30ES	30	22	40.7	19	73	51	87.5	37.5	40	4	4	0.6	6	62	95	0.67
SK35ES	35	25	47	21	82	61	102	43	47	4	4	0.6	6	79	125	1.02
SK40ES	40	28	53	23	92	69	115	48	52	4	5	0.6	7	99	156	1.40
SK45ES	45	32	60	27	102	77	128	52	58	6	5	0.6	7	127	208	1.93
SK50ES	50	35	66	30	112	88	144	59	62	6	6	0.6	6	156	250	2.69
SK60ES	60	44	80	38	135	100	167.5	72.5	70	6	8	1	6	245	390	4.60
SK70ES	70	49	92	42	160	115	195	85.5	80	6	10	1	6	313	510	7.00
SK80ES	80	55	105	47	180	141	231	98	95	6	10	1	6	400	620	11.0

- 1) No relubrication facility.
- 2) Can only be relubricated through the rod end housing.  
Can supply rod ends with maintenance-free spherical plain bearing.

# Rod ends



Sliding contact surfaces: Steel / Steel

Bearing number	Dimensions mm									Load ratings kN		Weight ≈kg
	d	B	d <sub>k</sub>	C <sub>1</sub>	d <sub>2</sub>	h	l <sub>2</sub>	r <sub>s</sub>	α° ≈	Dynamic	Static	
SF15ES	15	12	22	16	45	31	53.5	0.3	8	16	53	0.22
SF16ES	16	14	25	17.5	48	35	59	0.3	10	21	59	0.29
SF17ES	17	14	25	17.5	48	35	59	0.3	10	21	59	0.28
SF20ES	20	16	29	19	50	38	63	0.3	9	30	67	0.36
SF25ES	25	20	35.5	23	55	45	72.5	0.6	7	48	69	0.53
SF30ES	30	22	40.7	28	65	51	83.5	0.6	6	62	118	0.85
SF35ES	35	25	47	30	83	61	102.5	0.6	6	79	196	1.50
SF40ES	40	28	53	35	100	69	119	0.6	7	99	305	2.42
SF45ES	45	32	60	40	110	77	132	0.6	7	127	386	3.39
SF50ES	50	35	66	40	123	88	149.5	0.6	6	156	441	4.24
SF60ES	60	44	80	50	140	100	170	1	6	245	570	7.10
SF70ES	70	49	92	55	164	115	197	1	6	313	724	10.7
SF80ES	80	55	105	60	180	141	231	1	6	400	804	15.1
SF90ES	90	60	115	65	226	150	263	1	5	488	1340	23.4
SF100ES	100	70	130	70	250	170	295	1	7	607	1516	33.1
SF110ES	110	70	140	80	295	185	332.5	1	6	654	2340	48.5
SF120ES	120	85	160	90	360	210	390	1	6	950	3210	79.5

Can supply rod ends with maintenance-free spherical plain bearing.